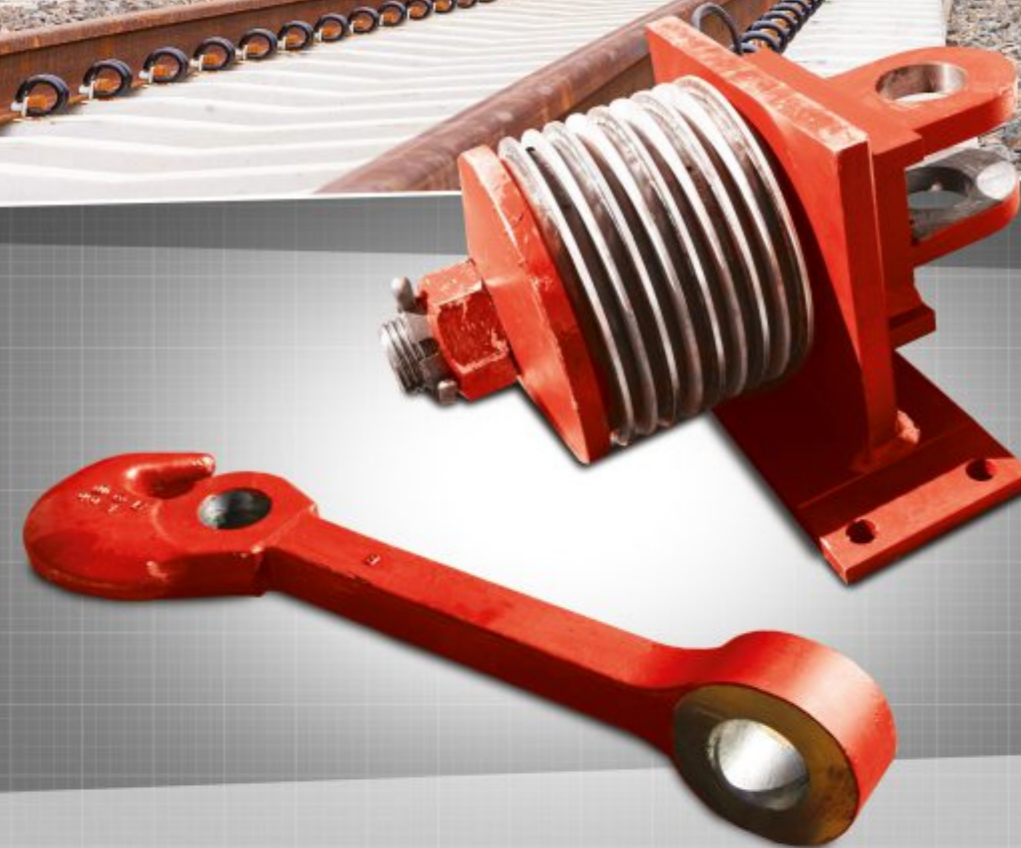
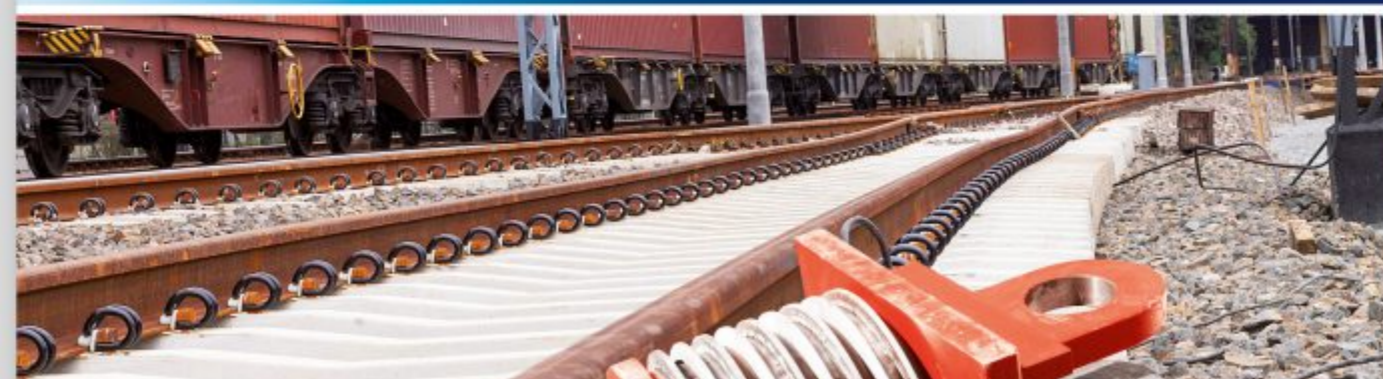


**Obro
Janstal**



**Product catalogue
2014**



ŚWIADECTWO

uznanego przez PKP CARGO S.A. producenta wyrobu

Na podstawie § 4 ust.3 „Zasad przyznawania zakładom zewnętrznym statusu uznanego przez PKP CARGO S.A. producenta wyrobu lub wykonawcy usługi” uznaje się że:

P.P.H.U. OBRO- JANSTAL

/nawa zakładu/

ul. Niska 1c, 63-400 Ostrów Wielkopolski

/adres/

posiada organizację, wyposażenie techniczne, zatrudnia pracowników o odpowiednich kwalifikacjach i stosuje technologie zgodnie z wymaganiami przepisów i instrukcji obowiązujących w PKP CARGO S.A. w zakresie produkcji:

- haki ciąglowe, gniazda czopa skrętu, czopy skrętu do taboru wagonowego

Świadectwo ważne do dnia **30.09.2015 r.**

W przypadku stwierdzenia złej jakości wyrobu, nieprzestrzegania obowiązujących norm, przepisów i instrukcji lub niezgodności stanu faktycznego z deklarowanym, świadectwo może zostać anulowane.

Nr CCWR - 621- 89/2012

DYREKTOR ZARZĄDZAJĄCY
PEŁNOMOCCNIK ZARZĄDU

[Signature]

/Dyrektor Zarządzający
Pełnomocnik Zarządu ds. Utrzymania /

Warszawa, dnia *21.09.2012*

Obro Janstal

The P.P.U.H. "Obro-Janstal" s.c. Manufacturing, Service and Trading company is a family business established in the mid-1990's. Since its foundation, the company has been offering services of machining of steel elements, according to the special requirements of our clients. More than 15 years of experience in steel industry has allowed us to expand the scope of our business, thanks to which today we are experts in manufacturing of 415Z, 5ZW couplers, all types of draw-hooks, fork couplers, suspension pins, brake pins with sleeves and a wide range of components for freight cars.

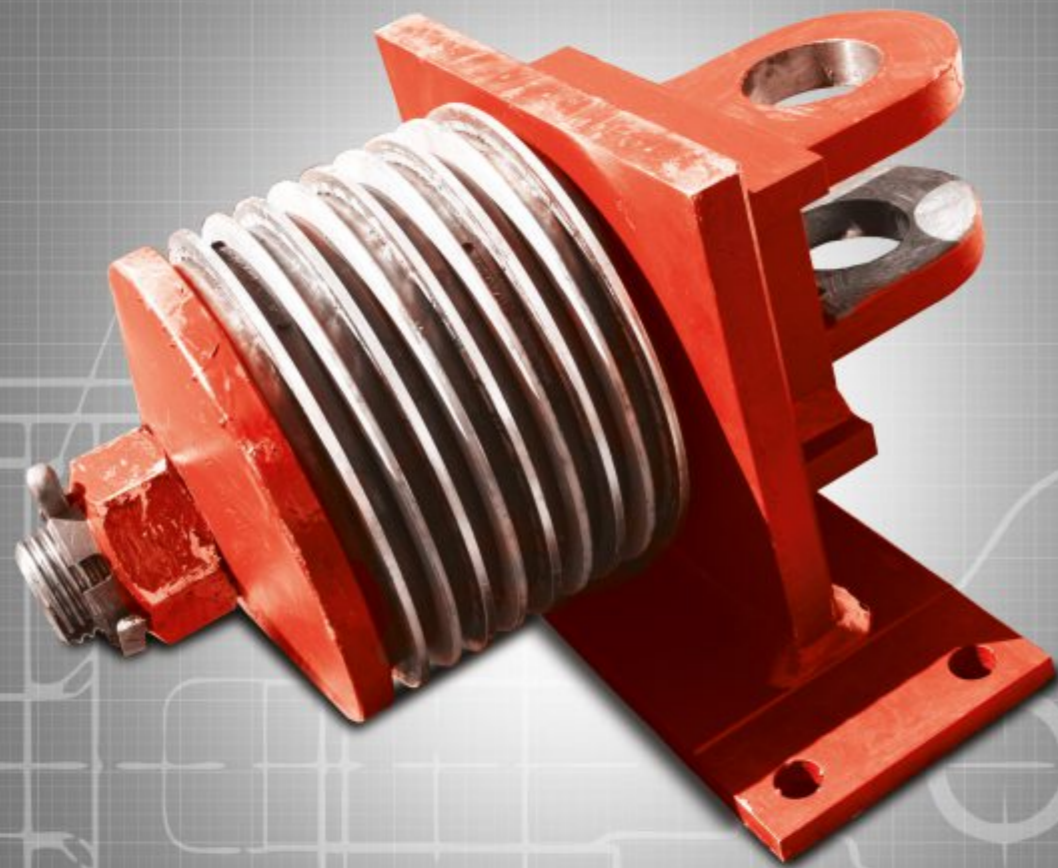
Thanks to commitment to the highest quality of our services we have gained the trust of our Clients and on 21 September 2012 the company was awarded with the title of a product manufacturer recognized by PKP CARGO SA. Professionalism and flexibility, as well as specialized machine park allow us to adapt the offer of the services provided both to the needs of individual and institutional clients.

Constant cooperation with Kuźnia Ostrów Wielkopolski Sp. z o.o., who is a recognised supplier of forgings for manufacturing elements used in railroad industry, guarantees the top quality of the products offered by our company.

Our main advantages are:

- Cooperation with the recognised supplier of forgings – Kuźnia Ostrów Wielkopolski Sp. z o.o.
- H. Cegielski – Centrum Badawczo-Rozwojowe Sp. z o.o. (Research and Development Centre), laboratory tests for mechanical, non-destructive testing, material engineering.
- We hold a certificate of a product manufacturer recognised by PKP CARGO S.A., thus providing our clients with high quality of the manufactured products and services.

Couplers



Coupler **415Z**

④

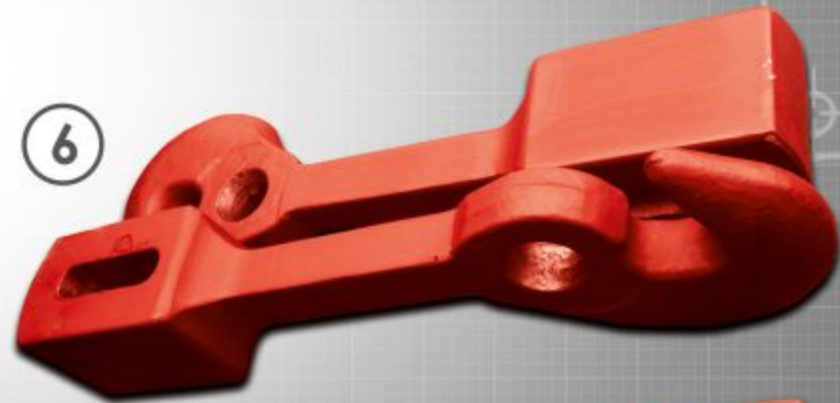


Coupler **5ZW**

⑤

II

Draw-hooks

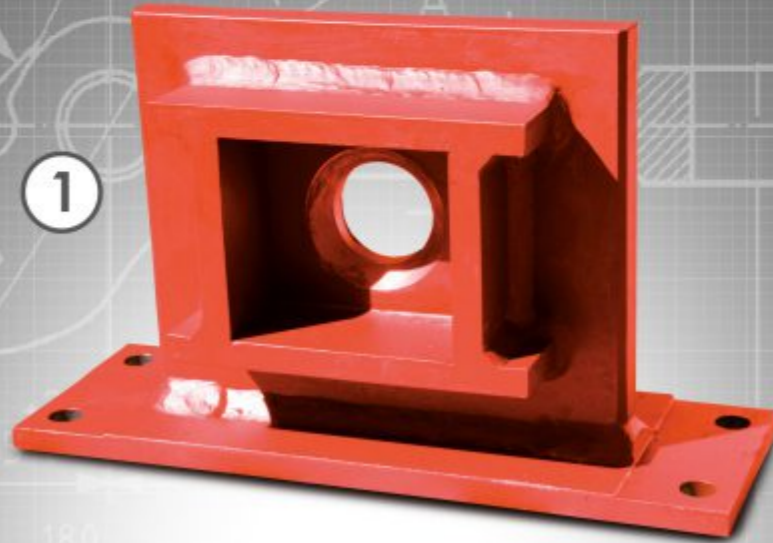


- 1. **A-type** draw-hook
- 2. **B-type** draw-hook
- 3. **ET-21** locomotive draw-hook

- 4. **ET-22** locomotive draw-hook
- 5. **181/182** locomotive draw-hook
- 6. **6D** draw-hook
- 7. **ST-44** locomotive draw-hook



Coupler supports



- 1. Coupler **415Z** support
- 2. Coupler **5ZW** support

8



Screw couplings

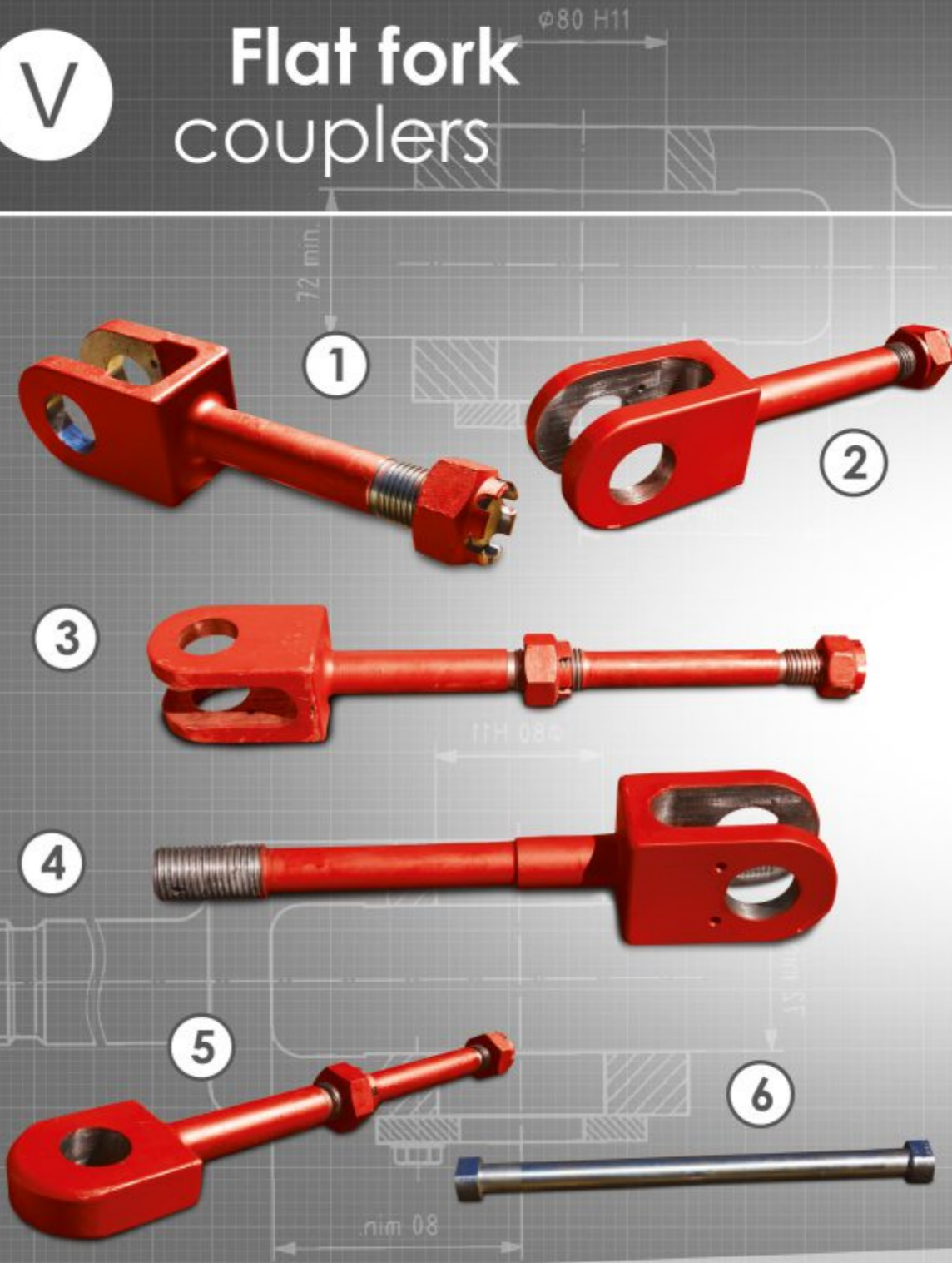


PKP Standard screw coupling

9

V

Flat fork couplers



1. Fork coupler **415Z**
2. Fork coupler **5ZW**
3. Long fork coupler **401Ka** with nut **Rd-60x7, Rd50x7**
4. Long fork coupler **RW** with nut **Rd-60x7, Rd50x7**
5. Long flat coupler with nut **Rd-60x7, Rd50x7**
6. Coupling rods - all lengths

10

VI

Suspension elements

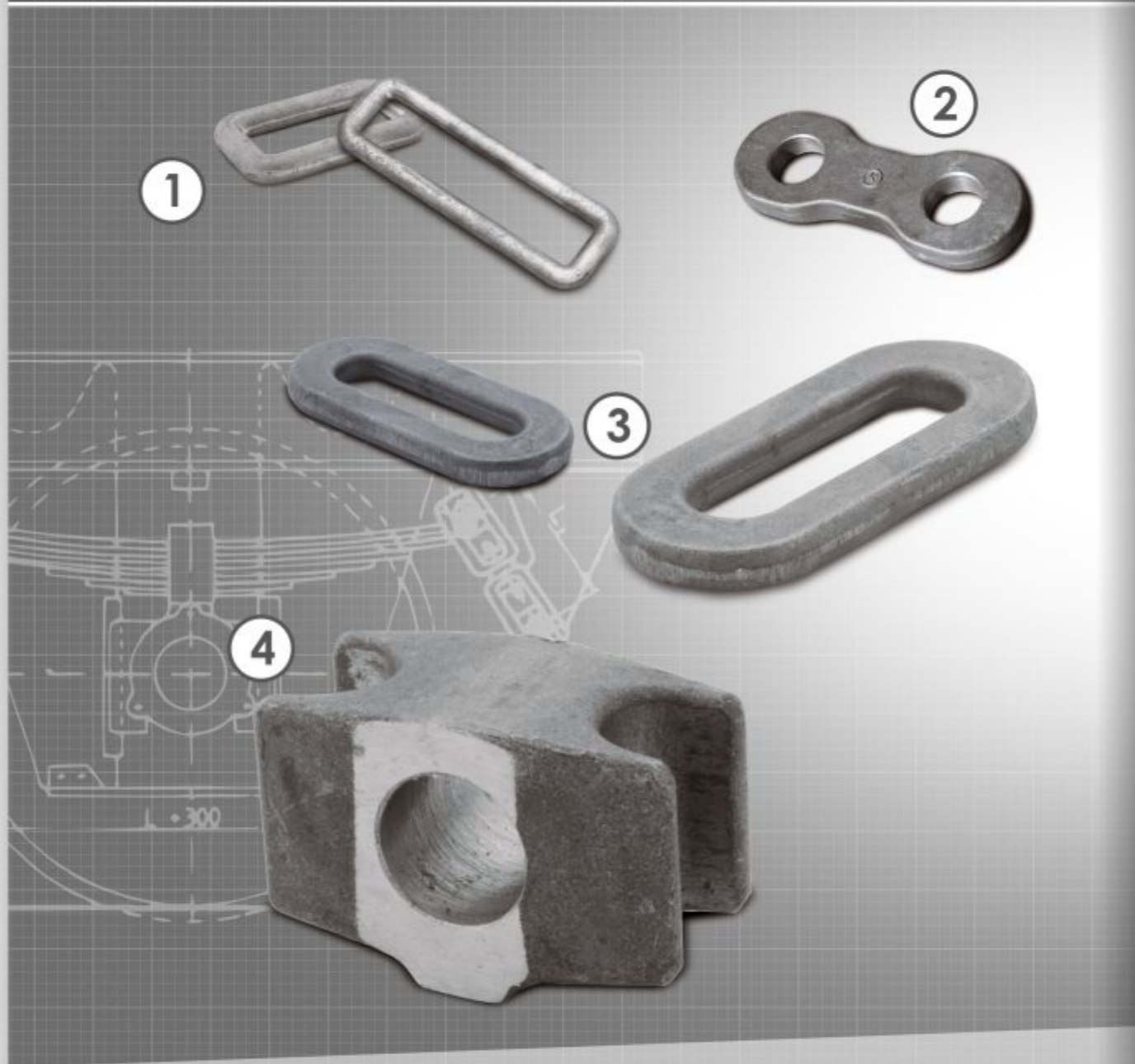


1. Spring pins – all types
2. Spring pin clip
3. Brake pins - all types
4. Draw-hook pin
5. PKP screw coupling pin

11

VII

Spring suspension



1. Spring hangers - all types
2. Spring hanger **WAP L-115**
3. Suspension links **25TN, 26TN**
4. Forged spring slide ϕ 36,5

12

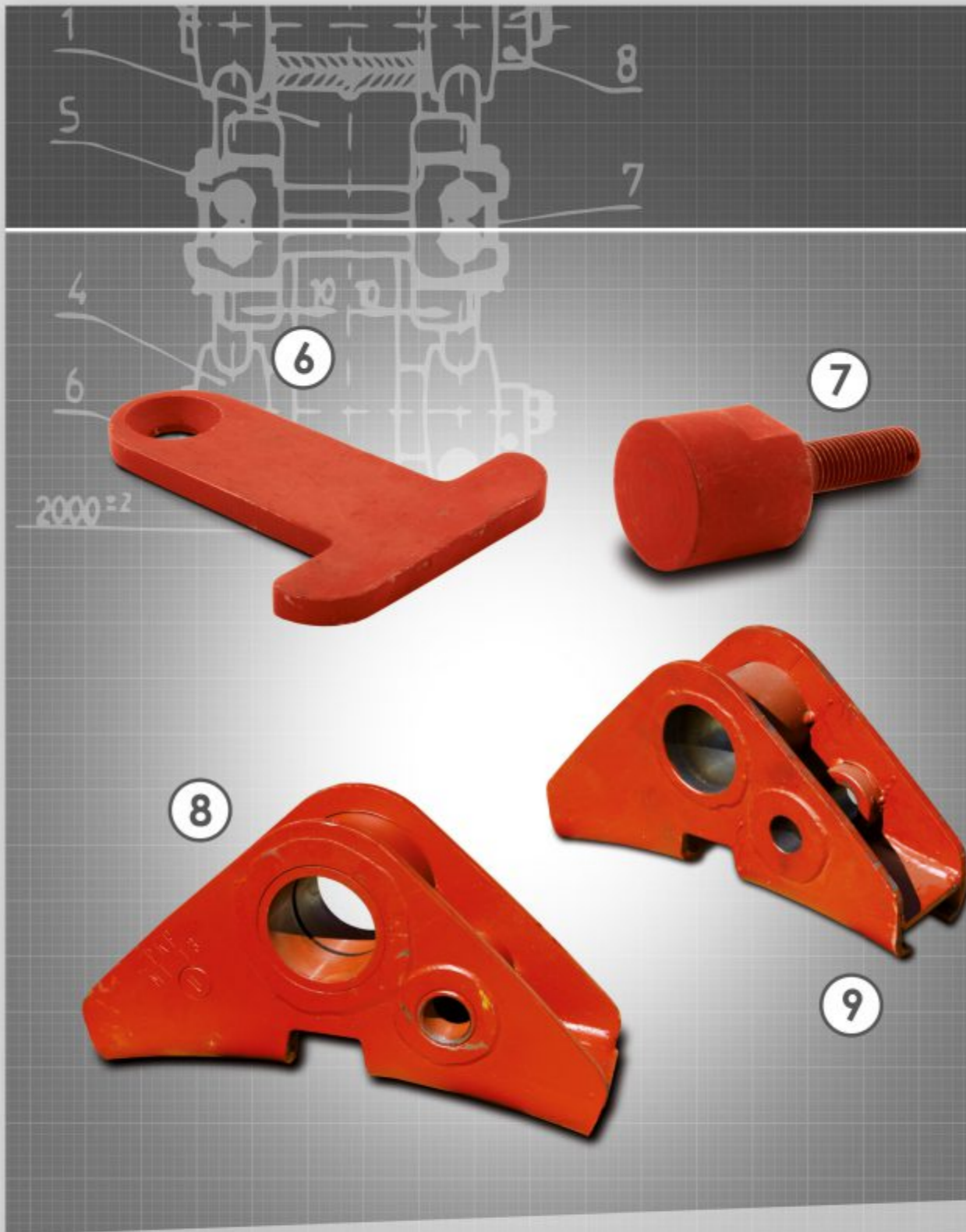
VIII

Other parts



1. Triangle safety pad – all types
2. **25/26TN** pintles – all lengths
3. **415Z RW** coupler washer
4. **415Z** rubber shock absorber
5. **415Z** plate insert

13



- 6. **T-type** axle-box protection
- 7. Spring slide hammers
- 8. **U1-T** truck brake shoe holder
- 9. **U1-S** truck brake shoe holder

List of machinery in the company:

Name of device

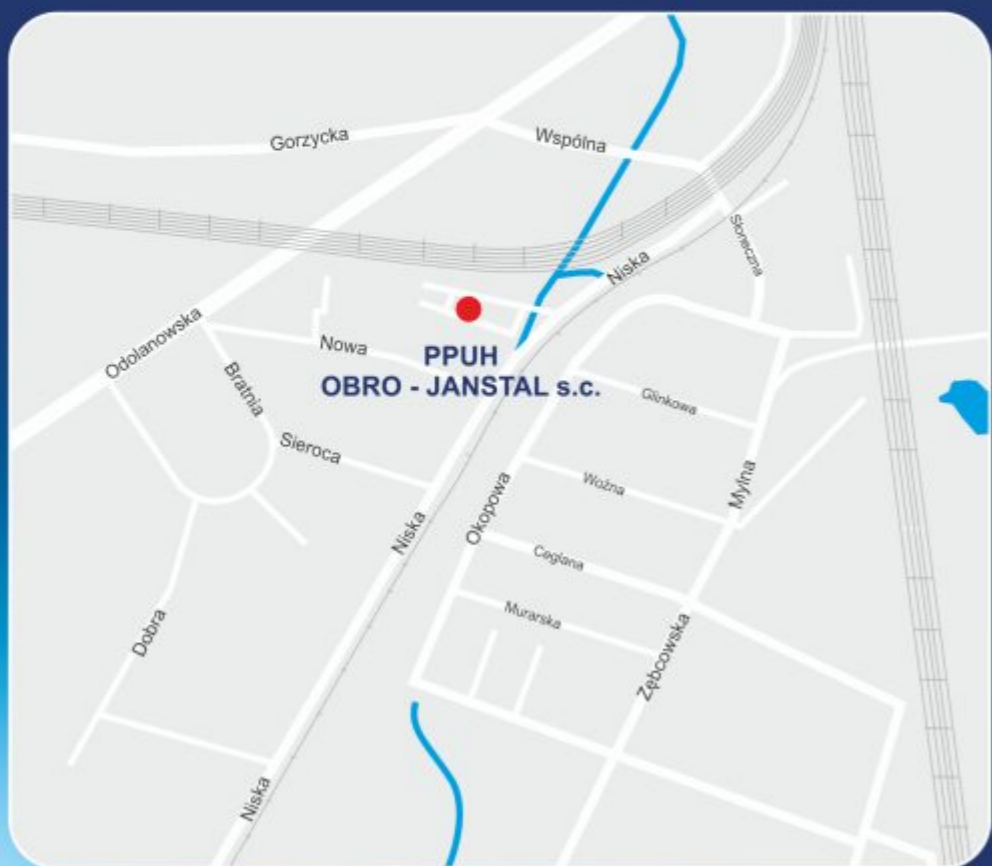
1. Milling machine Y-2A - 1 piece
2. Vertical milling machine FYA 32 - 2 pcs.
3. Vertical milling machine FY41 - 4 pcs.
4. Numerically controlled band-saw CASTO - 1 piece
5. Box column drill WKC 63 - 1 piece
6. Box column drill WKC 25 - 2 pcs.
7. Box column drill Heckert 63 - 1 piece
8. Box column drill Heckert 63 - 1 piece
9. Box column drill OTMT - 1 piece
10. Numerically controlled turning lathe TUR-50 SN- DC NUMS 322T - 1 piece
11. Numerically controlled turning lathe TUR-50 SN NUMS 322T - 1 piece
12. Engine lathe TR-90 - 2 pcs.
13. Engine lathe TUD-50 - 1 piece
14. Engine lathe SNA-630 - 1 piece
15. Poręba engine lathe TR-90x1500 - 1 piece
16. Poręba engine lathe TR-90x4000 - 1 piece
17. Eccentric press PMS 100B - 1 piece
18. Hydraulic press 63 T - 1 piece
19. Brinell hardness testing machine PA-6 1 piece
20. Poldi hardness hammer tester

List of standards used in the company

No.	Standard no.	Standard contents
1.	PN-EN 15566+A1	Railway applications - Railway rolling stock - Draw gear and screw coupling
2.	PN-K-88163	Wagons - Continuous draw-gear - Short draw-bar
3.	PN-K-88162	Wagons - Continuous draw-gear - Long draw-bar
4.	BN-80/PKP-3513-02	Railway rolling stock spring pins secured with clip
5.	PN-92/K-91039	Wagons - spring suspensions
6.	PN/K-911069	Railway rolling stock - stock spring pins secured with clip
7.	BN-81/3509-12	Loose round threads with pitch of 7 mm
8.	BN-87/3519-03	Railway rolling stock - sleeves
9.	PN-60/K-88166	Round threads of draw-hooks and brake rods
10.	PN-88/H-84020	General unalloyed structural steel, grades
11.	PN-90/M-83002	Pins with cheese head
12.	PN-EN ISO 6506-2	Brinell hardness testing Part 2
13.	PN-EN ISO 6506-1	Brinell hardness testing Part 1
14.	PN-K-88151	Brakes block holders, soles and keys
15.	PN-EN 10025-1	Hot rolled products of structural steel Part 1
16.	PN-EN 10027-1	Standard steel grades Part 1
17.	PN-EN ISO 13385-1	Geometrical product specifications (GPS) Part 1: Callipers
18.	PN-99/K-88160	Railway rolling stock, screw coupling
19.	PN-93/K-88157	Trucks - Draw-hook guide shoe
20.	PN-93/K-88153	Wagons - Clamp coupling
21.	PN-K-88151	Railway rolling stock - Brakes block holders, soles and keys

Additionally, we are interested in cooperation in the following areas:

- turnery: turning span up to 5,000 mm, diameter up to 1,100 mm
- turning metric, round, trapezoidal threads
- milling: length up to 2,500 mm, width 2,000 mm
- machining on numerically controlled lathes
- cutting on band-saws max. diameter 500 mm
- stamping on hydraulic press 40T -200 T



**Obro-Janstal spółka z ograniczoną
odpowiedzialnością sp.k.**

**ul. Niska 1c
63-400 Ostrów Wlkp.**

tel./ fax: 62 592-22-48; 62 592-23-07

mobile: 608-619-676

e-mail: biuro@obro-janstal.pl

marketing@obro-janstal.pl

www.obro-janstal.pl